

1.2m Quick Deploy Antenna



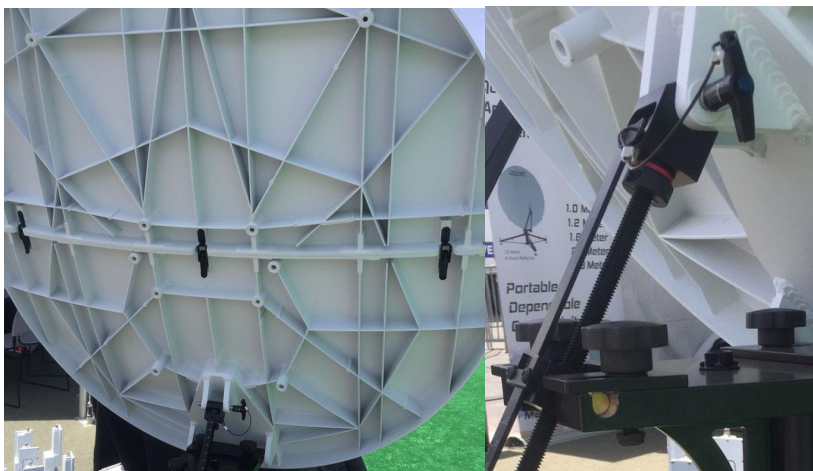
RF & Antenna Specifications	Ku Linear	
	Receive	Transmit
Frequency (GHz)	10.7 - 12.75	13.75 - 14.5
Feed - 2 - Port Xpol		
Return Loss	17.7 dB typ	20 dB typ
Insertion Loss	0.3 dB typ	0.1 dB typ
Tx/Rx Isolation	40 dB	80 dB
Feed Interface	WR75	WR75
Efficiency	70%	70%
Cross Polarization On Axis	30 dB	35 dB
within 1 dB Beamwidth	22 dB	26 dB
Tx/Rx Sidelobe Level	100λ/D < θ < 20°	29 - 25 log θ
	20° < θ < 26.3°	-3.5
	26.3° < θ < 48°	32 - 25 log θ
	48° < θ	-10
Midband Gain	41.8 dBi	43.5 dBi
Noise Temperature	68K @ 10°EL	
	53K @ 30°EL	

Mechanical Specifications	
Antenna Optics	Single Offset
Mount Type	Elevation over Azimuth Tripod
Elevation Adjustment	0° to 90° Continuous Fine Adjustment
Azimuth Adjustment	360° Continuous Fine Adjustment

Environmental Performance		
Wind Loading	Standard	Metric
Operational (No Ballast/Anchors)	25 mph	40 km/h
Operational (w/Ballast/Anchors)	45 mph	72 km/h
Survival (w/Ballast/Anchors)	90 mph	145 km/h
Temperature	-40° to 140°F	-40° to 60°C
Rain	.5 in./h	1.3 cm/h
Solar Radiation	360 BTU/h/ft²	1000 Kcal/h/m²

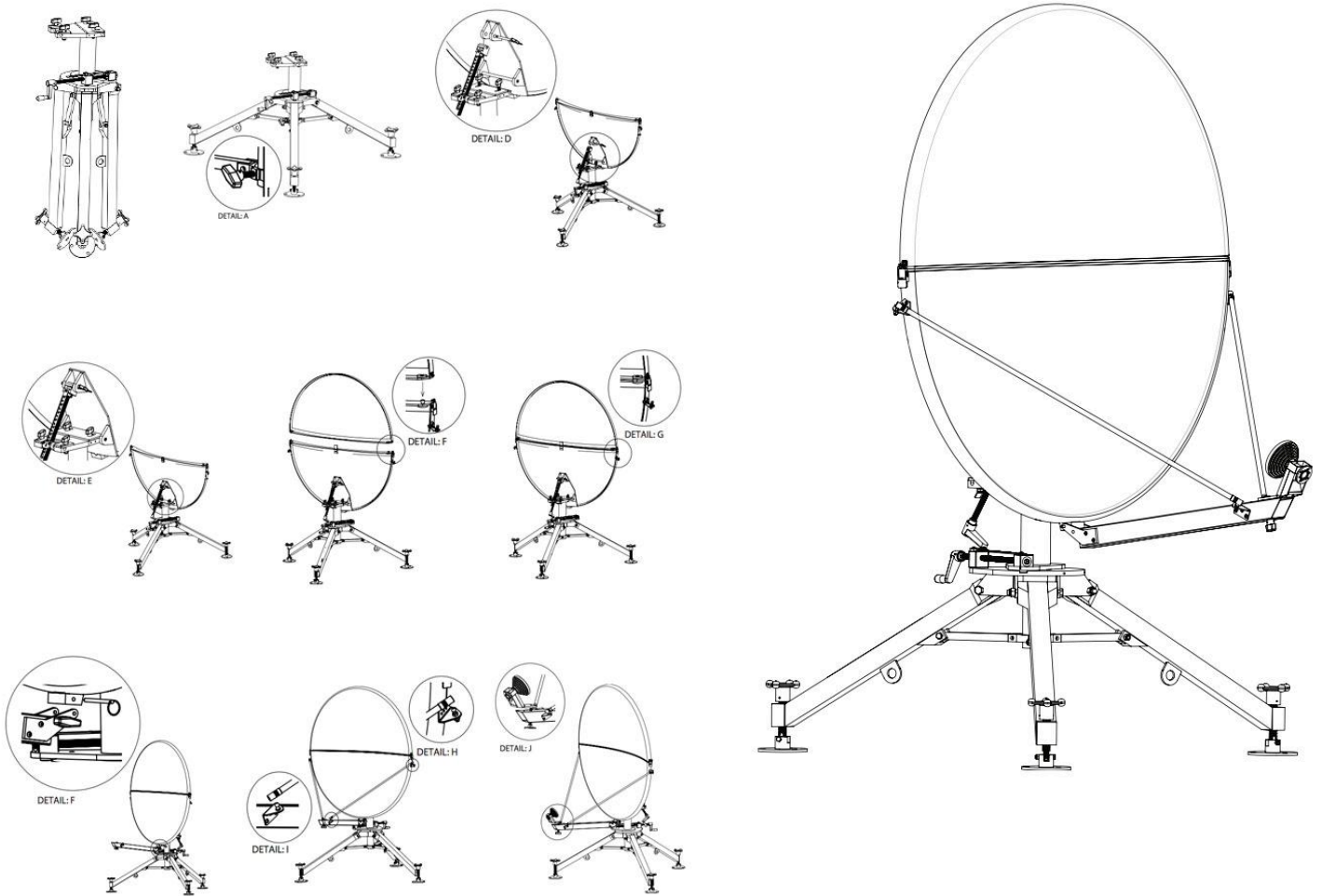
Reflector Case 100 lbs./45 - kg
54 x 14 x 30 in. 137 x 36 x 76 cm

Mount Case 90 lbs./41 kg
41 x 18 x 17 in. 119 x 46 x 43 cm



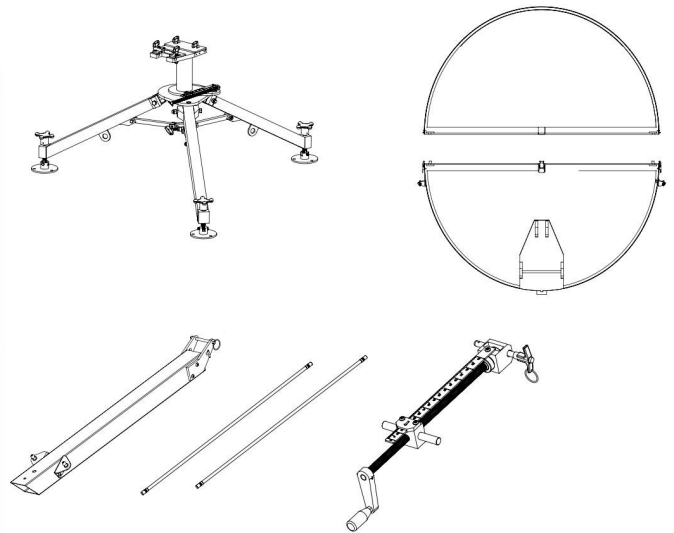
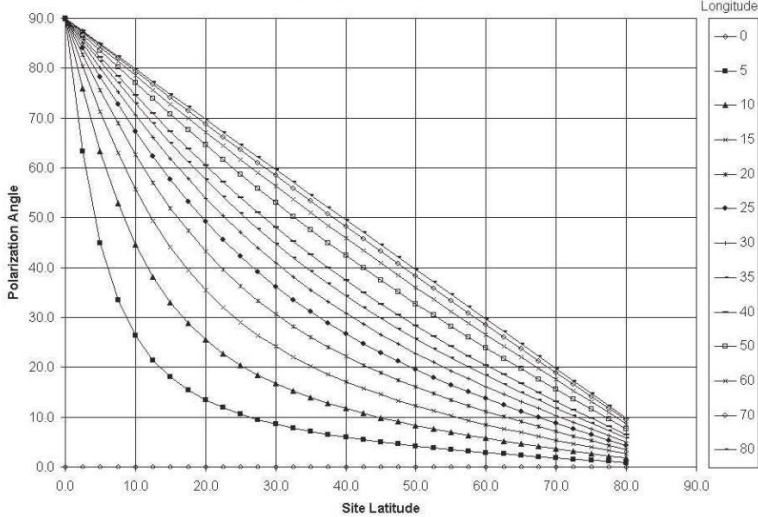
01.800.999.5222 [México D.F] 55.8851.8727 - 55.8851.8728

1.2m Quick Deploy Antenna



Polarization Chart

Delta Longitude = $|LONG_{SAT} - LONG_{SITE}|$



01.800.999.5222 [México D.F] 55.8851.8727 - 55.8851.8728